



TECHNICAL DATA

MASSES

Operating mass (incl. ROPS)	11,000 kg
Module mass (front/rear)	6300/4700 kg (ROPS)
Max. operating mass	12,600 kg

COMPACTION

Static linear load	30.0 kg/cm
Nominal amplitude (high/low)	1.8/0.9 mm
Vibration frequency (high/low amplitude)	33/33 Hz
Centrifugal force (high/low amplitude)	250/130 kN

TRACTION

Speed range	0-5.5 km/h (working) 0-11 Km/h (travel)
Tyre size (8 ply)	23.1-26 TL
Vertical oscillation	±9°
Max. gradeability	53 %

HYDRAULIC SYSTEM

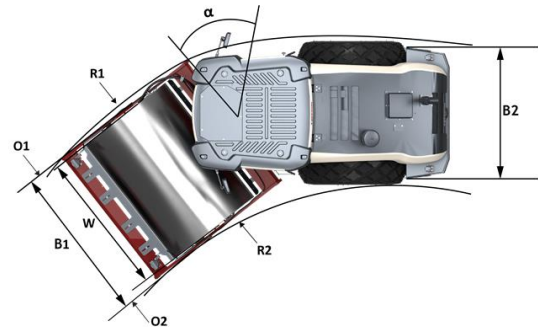
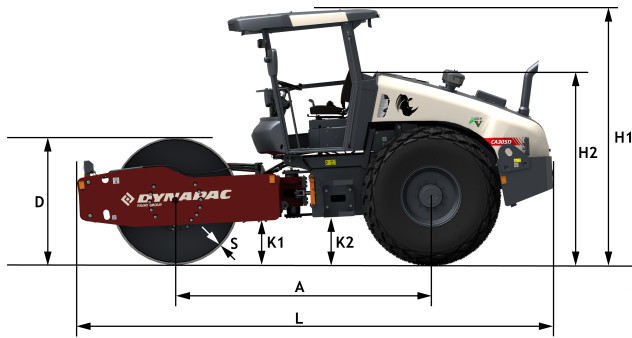
Driving	Hydrostatic
Vibration	Hydrostatic
Steering	Hydrostatic
Service brake	Hydrostatic in forward and reverse lever.
Parking/Emergency brake	Failsafe multidisc brake in rear axle and front drum motor.

ENGINE

Manufacturer/Model	KOEL
Type	Water cooled
Rated power, SAE J1995	110HP@ 2200 rpm
Fuel tank capacity	280 l
Emission stage	CEV-V

Find us locally at www.dynapac.in

We reserve the right to change specifications without notice. Photos and illustrations do not always show standard versions of machines. The above information is a general description only, all information's are supplied without liability.



DIMENSIONS

DIMENSIONS

A. Wheelbase	2990 mm
B1. Width, front	2260 mm
D. Drum diameter	1500 mm
H1. Height, with ROPS/cab	2977 mm
K1. Ground clearance	520 mm
K2. Curb clearance	460 mm
L. Length	5600 mm
O1. Overhang, right	65 mm
O2. Overhang, left	65 mm
R1. Turning radius, outside	5515 mm
R2. Turning radius, inside	3385 mm
S. Drum shell thickness	25 mm
W. Drum width	2130 mm
α . Steering angle	± 38

STANDARD EQUIPMENT

- Adjustable seat
- Back up alarm
- Dual amplitudes
- Dual speed rear axle & Drum
- Driving lights
- Working lights
- Emergency stop
- Hour meter
- Lockable instrument panel cover
- Rear view mirrors(External & Internal)
- Safety belt
- ROPS platform
- USB mobile charger
- Mobile holder
- Water bottle holder
- Horn
- Front scraper(Bottom)
- Rear Scraper(Bottom)

OPTIONAL EQUIPMENT

- Compaction meter Field kit
- Dyn@link Basic field kit
- Dyn@link Basic factory fitted
- Rotating beacon field kit
- Rotating beacon factory fitted
- Sunshade
- Sunvisor

Find us locally at www.dynapac.in

We reserve the right to change specifications without notice. Photos and illustrations do not always show standard versions of machines. The above information is a general description only, all information's are supplied without liability.